

# Chancellor's Report and Update

Board of Trustees Meeting

April 12, 2023 BOT Chancellor's Report

4/14/2023





# Our COC Team and Students Shine!

# Athletic Hall of Fame

The Performing Arts Center was packed as College of the Canyons honored the newest members of the **Athletic Hall of Fame** during a reimagined event on **Wednesday, March 29<sup>th</sup>**. The inductees included:

- **Harlan Perlman**, Assistant Coach, Women's Basketball (1992-2019)
- **1986 State Championship Baseball Team**
- **1996-97 State Runner-Up Women's Basketball Team**
- **2007 State Finalist Women's Volleyball Team**
- **Chris Lowe**, Track & Field, 2011 & '12 CCCAA State Champion



# Athletics Update



## Greg Herrick Tabbed to Receive CCCWBCA Hall of Fame Honors

- Recently retired College of the Canyons Women's Basketball Coach **Greg Herrick**, who guided the program to **611** career wins, has been selected for induction into the *California Community College Women's Basketball Coaches Association (CCCWBCA) Hall of Fame*. The announcement was made at the organization's annual meeting earlier this month with induction scheduled for spring 2024.
- Herrick left the program in June 2022 boasting a career record of 611-288, good for a .680 winning percentage. Herrick's teams also won 16 conference titles and qualified for the CCCAA Southern California Regional Postseason in 24 seasons, including a run of **21** straight appearances from 1994-2014.



# Students Awarded at Conference



**Twenty** students from *Future Business Leaders of America* competed at the **FBLA California State Business Leadership Conference** in San Diego March 31<sup>st</sup> to April 2<sup>nd</sup>, bringing home 5 **first-place** awards, 4 **second-place** awards, 3 **third-place** awards, 5 **fourth-place** awards, and 2 **fifth-place** awards.

# ESL Graduates Honored

The English as a Second Language (ESL) program honored graduating students during a special recognition event Wednesday, March 29<sup>th</sup>.

The ESL program has been helping students learn and improve their English skills for more than 20 year.



# Former AOC Student Graduates Berkley in 2 Years

Former Academy of the Canyons graduate **Alex Sako** was able to graduate from Berkley in 2 years with a **BA in Electrical Engineering/Computer Science**. This was made possible because of the integration of COC coursework into the AOC curriculum.

- Alex was recently accepted into the Master's in Biomedical Engineering program at UCLA and will start his graduate studies at the **age of 19!**
- His mother emailed the AOC Principle, Juliet Fine, who shared the email with us.
- COC continues to make an impact on our AOC students!



# April Marin - Procurement Professional of the Year

**April Marin** received the 2023 California Community College *Procurement Professional of the Year* award.

- Sponsored by the Foundation for California Community Colleges (FCCC).
- Recognizes procurement professionals who have **significantly contributed** to the procurement profession and the California Community College system in the areas of **leadership, innovation, involvement, and support.**

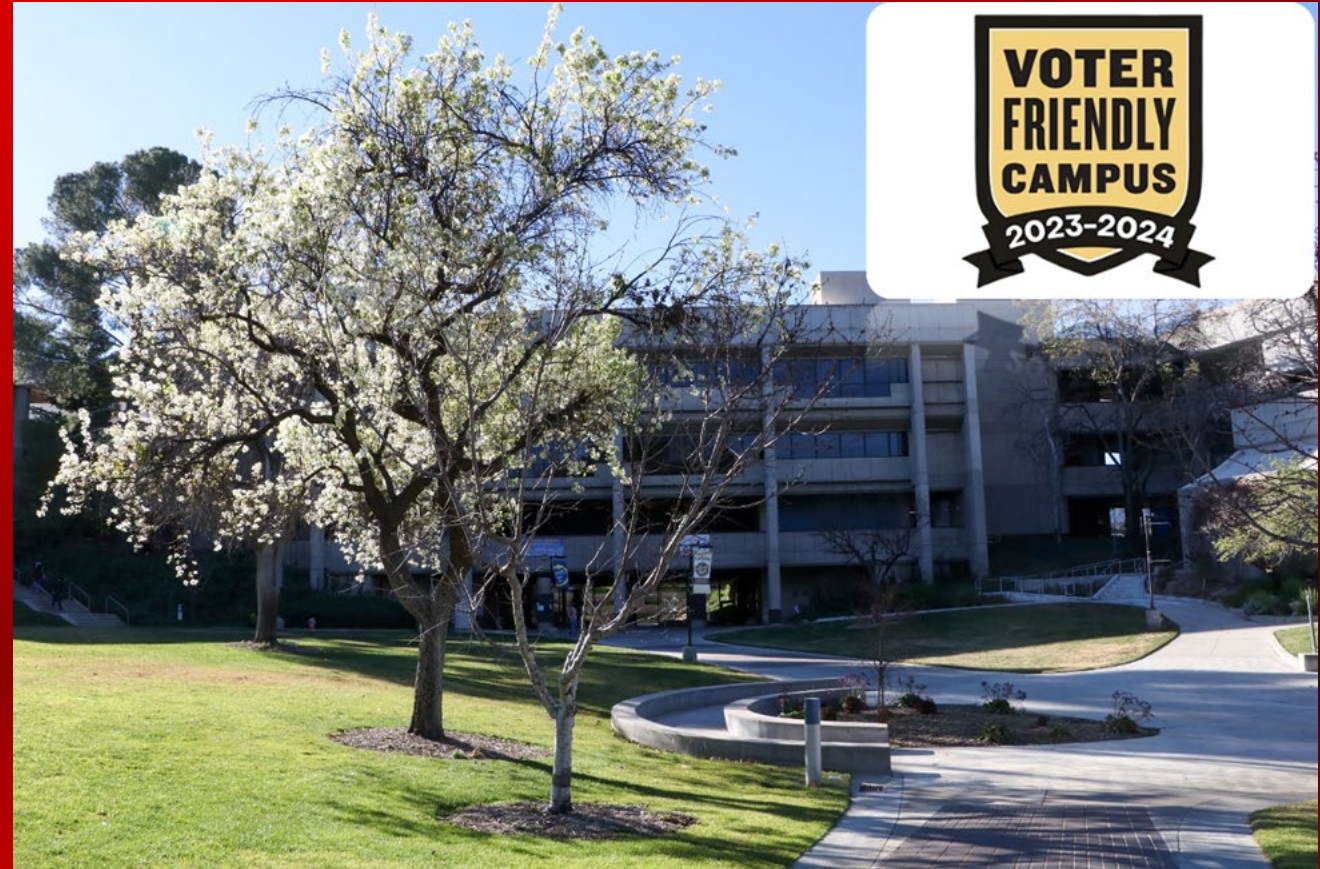




# COC Designated Voter Friendly Campus

College of the Canyons was recognized, along with 258 other institutions, for our efforts to break down barriers and empower students with information and tools they need to participate in the political process.

The institutions designated 2023 Voter Friendly Campuses include a wide range of two-year, four-year, public, private, rural, and urban campuses that collectively serve over 3.5 million students.



# New Trainings for Our Workforce!



# Low Observable 4<sup>th</sup> Cohort Launches

**Low Observable Technician Program** in partnership with **Northrop Grumman** started the **4<sup>th</sup> cohort** on **Monday, March 20<sup>th</sup>**.

- After completing an aptitude test as well as a respirator test we have 14 individuals participating in this cohort.
- Class is hosted at the Canyon Country Campus and the program will graduate the students in June.

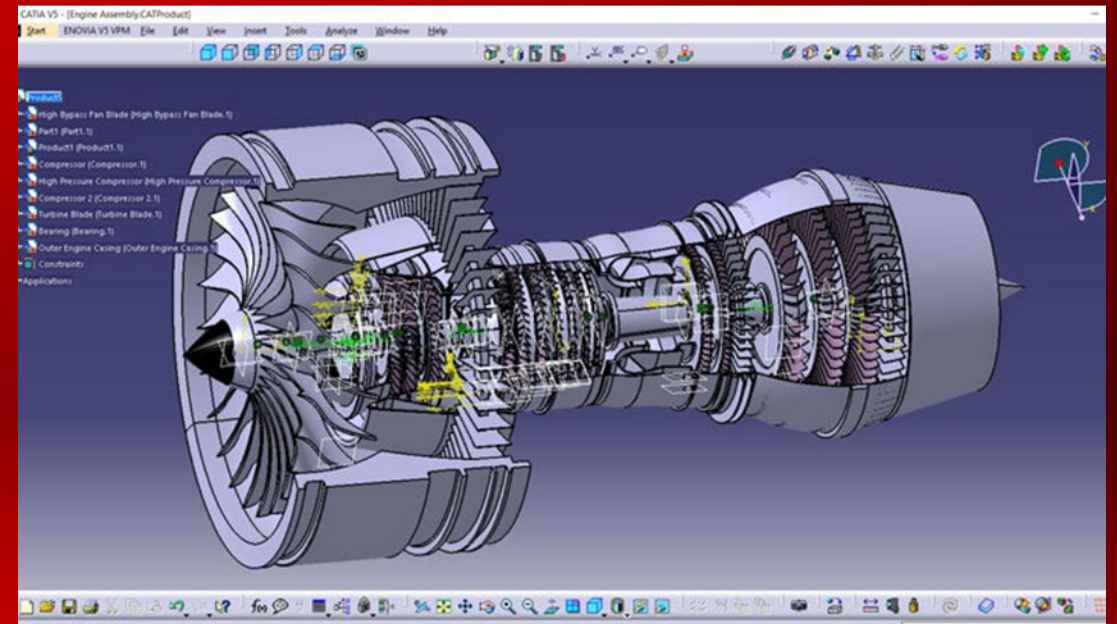


# Northrop Grumman CATIA Training

ETI recently launched a 40 hour Entry Level *Computer Aided Three-Dimensional Interactive Application (CATIA)* training program in partnership with **Northrop Grumman**.

**12** Northrop Engineers started the program on **March 30<sup>th</sup>** and will learn the basics of *Computer Aided Engineering (CAE)* and *Computer Aided Manufacturing (CAM)*.

**NORTHROP  
GRUMMAN**





# What's New On And Around our Campuses

4/14/2023

BOT Chancellor's Report

# Silver Spur Awarded



## 31ST ANNUAL SILVER SPUR CELEBRATION

The College of the Canyons Foundation honored Randy Moberg and Mitzi Like-Moberg with the 2023 Silver Spur Award for Community Service on Saturday, March 11<sup>th</sup>.

- They were recognized for their longtime support of the college and philanthropic contributions in the community.
- The celebration was held at the **Zachari Dunes on Mandalay Beach** in Oxnard.



# Industry Insight Series

Visual & Performing Arts presented an **Artist Talk** with **William Camargo Claudio** on **Wednesday, March 15<sup>th</sup>** in the Art Gallery, as part of the *Industry Insight Series*.

The Industry Insight Series also included:

- An Artist Talk with **Rhombie Sandoval** on **Thursday, March 23<sup>rd</sup>** in the Art Gallery.
- **Master Class & Artist Talk** with **James Montagna** on **Tuesday, March 28<sup>th</sup>** in Mentry Hall 209.



COLLEGE OF THE CANYONS  
ART GALLERY



# Discover Day

Discover Day returned to the Valencia campus on Saturday, March 18<sup>th</sup>.

- Over 500 students and community members were given the opportunity to explore our campus services, resources, academic programs, and student life activities available to them.
- Over 70 departments, programs, and services were represented.





# Empowerment Advocated



College of the Canyons **Empowerment Programs** attended the ***Faculty Association of California Advocacy & Policy Conference*** in Sacramento on March 19<sup>th</sup> and 20<sup>th</sup>.

Students and faculty from ***EOPS, CARE*** and ***CalWORKs*** – above, from left, **Nora Cardozo, Daniela Leon**, counselor **Samir Hamawe, Ashley Pacheco**, and **Kimberly Lopez Jimenez** – attended workshops on legislation impacting students, spoke with lawmakers, and networked with colleagues from other community colleges.

# Women's Conference Inspires Leadership

Nearly **150** attendees gathered in the University Center for the annual Women's Conference on Saturday, **March 25<sup>th</sup>**.

- Designed around the theme *“Think Big, Speak Up!”*, the event featured a leadership panel of **Councilwoman Katrina Manning** and **Treasurer Marie Poindexter-Hornback** from the City of Hawthorne.
- The luncheon featured keynote speeches by **Assemblywoman Pilar Schiavo** (D-Chatsworth) and **Hildy Aguinaldo** (Senior Director and Assistant General Counsel at DaVita Inc. and **Vice President of the Board of Governors, California Community Colleges**).
- Breakout sessions held throughout the day covered a wide range of topics, such as returning to college, career changes, exploring passions, and a health and wellness workshop.



# Virtual Tours – Student Housing

Based on input received at March 8<sup>th</sup> Board meeting, a **Charette** was organized and held **March 27<sup>th</sup>**. During that meeting, at which nearly **100** attended in person/online, there was great discussion regarding both facility design and the long-term facility operation.

## Next steps:

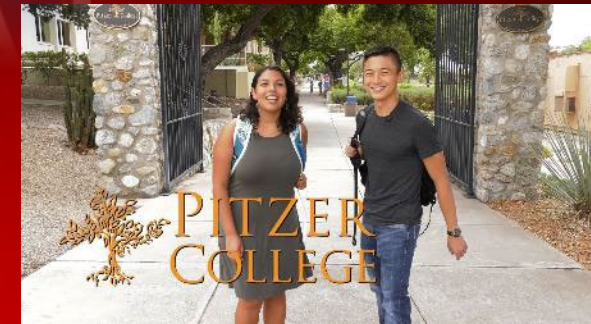
- Invite major universities to discuss their student housing options and operations.
- First up was **USC**, whom we met with today from 11am-12pm in UCEN 258 and via Zoom.
  - With a little over 40 attendees in person/online, we got a behind the scenes look at how a large local university designs and manages over 7,000 beds of student residential housing, which includes every imaginable configuration, from apartments to suites to old-style dorms.
  - At this meeting, we were introduced not only to the business part of the project, but the student affairs challenges and processes that go hand in hand with managing a residential facility.
  - Excellent information, a lot to think about and certainly great information that answered lots of tough questions.



# Virtual Tours – Student Housing

## Next steps continued:

- Then, we'll have another "meeting with the experts" (our very own), who will discuss the student housing facilities and operations they managed at CSUN, University of Puget Sound, UCLA, and Pitzer.
- We'll assemble the comments, information and recommendations and will prepare an option or two or three, along with a pro forma for each option.
- Finally, we'll present those options to the Board prior to the close of this semester



# Classified Professional Development Week Presentation

On **April 4<sup>th</sup>** I was fortunate to be able to present to the classified staff attendees for the **Classified Professional Development Week**. We met in the lobby of the University Center.

- I spoke on the topic of **Kindness**. It was a meaningful session.
- I was particularly touched by an act of kindness performed by Justin Bradshaw, who organized the purchase of **100** leis in honor of Roger. He handed them out as people arrived.
- It was a wonderful gesture to reinforce to the classified staff how much they matter in the lives of our students and in the care of our college and its people.





# UPCOMING EVENTS

# Civic Dialogues Special "Deep Dive" on Friday



Please join the Center for Civic Engagement this **Friday, April 14<sup>th</sup>, 12:00-2:00 p.m.** for its special *Civic Dialogues* "Deep Dive" addressing *Integrating a Civic Professional Perspective Into Project-Based Learning: How Can Faculty and Students Demonstrate Making a Difference for Self and Society?*

- Presenters: **Nicholas Longo**, Chair and Professor of Global Studies, Providence College, and **Elizabeth Clark**, Professor of English at LaGuardia Community College/City University of New York.
- Register through the California Community Colleges' Success Network (3CSN) to obtain the meeting room Zoom link or paste this URL in your browser:  
**<https://cccconfer.zoom.us/meeting/register/tZUocuqrqDwpG9E-cbdUB6YYxSxh7aZLDxOZ>**

# First Annual Basketball Tournament

The COC Foundation is hosting its **First Annual 3 x 3 Basketball Tournament** this **Sunday, April 16<sup>th</sup>** at **9am** in the Valencia Campus West Gym.

College of the Canyons Foundation  
First Annual

## 3 x 3 BASKETBALL TOURNAMENT

SUNDAY, APRIL 16, 2023  
TOURNAMENT BEGINS AT 9AM  
TEAMS CAN CHECK IN AT 8:30AM  
COLLEGE OF THE CANYONS  
VALENCIA CAMPUS  
WEST GYM



Register Here or see  
our #linkinbio





# Mixer at Canyon Country Campus

BUSINESS  
AFTER HOURS  
MIXER  
COLLEGE OF THE CANYONS



The Canyon Country campus will host the **Santa Clarita Valley Chamber of Commerce's "Business After Hours Mixer"** on **Wednesday, April 19<sup>th</sup>**.

- More than **150** business representatives from across the community are expected to attend for an evening of networking.
- The event is scheduled for 5:30 p.m.
- To register: <https://www.scvchamber.com/events>

# We're Cutting the Ribbon!

Please join us as we celebrate the opening of the **Student Services/Learning Resources Center** at the College of the Canyons Canyon Country Campus

- This new 55,000-square-foot facility brings together key support services such as financial aid, counseling and tutoring, along with a library, classrooms and more in one convenient location for students.
- The ceremony will begin at **11:30 a.m. Tuesday, April 25th** at the Lower Plaza (Lobby Level) of the Student Services & Learning Resource Center.





# Santa Clarita Job Fair



College of the Canyons presents the Santa Clarita Job Fair on Friday, April 28<sup>th</sup>.

- The free event is scheduled **10 a.m. to 2 p.m.** in the **East Gymnasium** at the Valencia campus.
- Parking will be free in student lots for the duration of the event, which is presented in partnership with the **City of Santa Clarita, SCV Chamber of Commerce, America's Job Center of California, and SCV Economic Development Corp.**

# International Animation Festival

COC is hosting a *free* two-day festival showcasing student-created animated films!

- The International Animation Festival will be held **May 5-6<sup>th</sup>** 9am-4pm in the 3<sup>rd</sup> Floor of Mentry Hall.
- There will be food, raffles, awards and industry panels.
- For more information, go to the ISP Events page on our website.



The poster features a green and blue color scheme with film strip graphics. A green banner in the top left corner reads "Prizes available for in person Attendance". A QR code is positioned in the top right. The main text is centered and reads: "COLLEGE OF THE CANYONS INTERNATIONAL ANIMATION FESTIVAL", "May 5 - 6, 2023 | 9 AM - 4 PM", "3rd Floor of Mentry Hall Valencola Campus", "A FREE TWO-DAY FESTIVAL Showcasing student-created animated films!", "Keynote Speakers", "David Heredia Founder of Heroes of Color An award-winning company that uses animation to author culturally responsive books for youth.", "Mindy Johnson Award-winning author of Ink & Paint - The Women of Walt Disney's Animation, Historian, filmmaker and preeminent expert on women in early animation.", and "Food - Awards - Industry Panels".

**Prizes available for in person Attendance**



**COLLEGE OF THE CANYONS  
INTERNATIONAL ANIMATION  
FESTIVAL**

**May 5 - 6, 2023 | 9 AM - 4 PM**

**3rd Floor of Mentry Hall  
Valencola Campus**

**A FREE TWO-DAY FESTIVAL**  
Showcasing student-created animated films!

**Keynote Speakers**

**David Heredia**  
Founder of **Heroes of Color**  
An award-winning company  
that uses animation to author  
culturally responsive books for  
youth.

**Mindy Johnson**  
Award-winning author of  
**Ink & Paint - The Women of  
Walt Disney's Animation**,  
Historian, filmmaker and  
preeminent expert on women in  
early animation.

**Food - Awards - Industry Panels**

# Upcoming Events

## May Events:

- 4/28 – **Science Talk: Star Party**
- May 4<sup>th</sup> – **COC Honors Program & Phi Theta Kappa Annual Celebration** – 6pm TBD
- 5/5 – Science Talk: Garden Walk
- May 5<sup>th</sup> – SCV Man & Woman of the Year Gala – 6pm at Hyatt Regency
- May 5-7<sup>th</sup> – League Board Meeting, Annual Trustees Conference – Monterey Plaza Hotel
- May 11<sup>th</sup> – Scholarship Reception – UCEN Lobby at 5:30pm
- May 11<sup>th</sup> – Hart District CTE Showcase – Castaic High School at 4:30pm
- May 30<sup>th</sup> – Nursing Pinning Ceremony – Performing Arts Center at 12pm
- May 31<sup>st</sup> – State of the County – Hyatt Regency at 11am
- June 2 – COC Commencement – Honor Grove at 8am

# Classified Appreciation Week

Each May, we look forward to celebrating our AMAZING classified and confidential staff as part of ***Classified Appreciation Week***. An ice cream social (5/16), a fun breakfast (5/17) prepared by the administrators, and a luncheon and awards ceremony (5/18) are planned for this year to recognize the wonderful contributions that the classified and confidential staff bring to the College each and every day!

- The theme for this year's event is ***Our Employees Step Right Up!***
- At the luncheon, awards will be given in the following categories:
  - **Employee of the Year**
  - **Gloria Jackson Customer Service Award**
  - **Dare to Dream Award**
  - **Humanitarian Award**
  - **Professional Achievement Award**
  - **CSEA Member of the Year Award**
  - **Classified Senate Spirit Award**



# MESA Student Transfer Celebration

Save the date for this year's **MESA Student Transfer Celebration** for 2023!

- **May 19<sup>th</sup>** from 6-8pm at the Takeda Science Center at the Canyon Country Campus
- Our MESA students would love for you to attend.
- An official invitation to RSVP will be coming soon.





**See in You May!**